

IDC A09

Bedienungs- und Einbauanleitung
Operating and installation instructions (GB)
Operating and installation instructions (US)
Notice d'emploi et de montage
Istruzioni d'uso e di montaggio
Gebruiksaanwijzing en inbouwhandleiding
Bruks- och monteringsanvisning
Instrucciones de manejo y de conexión
Instruções de serviço e de montagem



ÜBERSICHTSBILD/OVERVIEW DIAGRAM/ APERÇU/VISTA D'INSIEME/ OVERZICHTSFOTO/ÖVERSIKTSBILD/ VISTA GENERAL/VISTA DE CONJUNTO



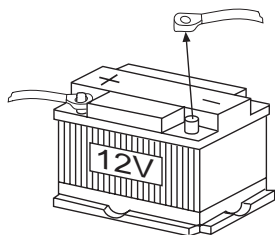
- ① - ⑤ CD Schächte,
CD Compartments,
Compartiments CD,
Vano di CD,
Cd-Openingen,
Cd-fack,
Bandejas,
Compartimentos

- ⑥ - ⑩ Eject-Knöpfe,
Eject buttons,
Bouton d'éjection,
Tasto di espulsione,
Eject-toetsen,
Utmatningsknappar,
Botones de expulsión,
Botão de ejeção

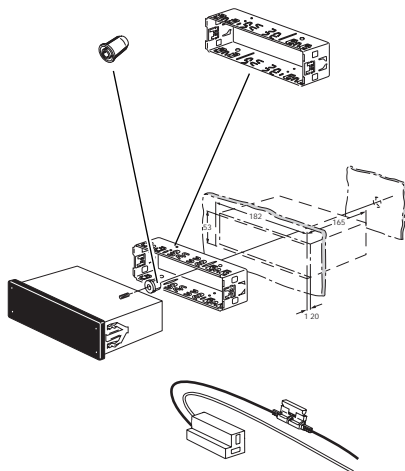
INSTALLATION

Safety notice

- Electronic vehicle systems may fail if they are incorrectly installed or serviced.
- Disconnect the negative terminal of the battery before installing or removing any equipment.
- When drilling any holes, ensure that no vehicle components are damaged.



Supplied installation materials



Recommended location for installation

Dashboard
Vehicle trunk
glove box
center console
SUV storage bin

Installation position

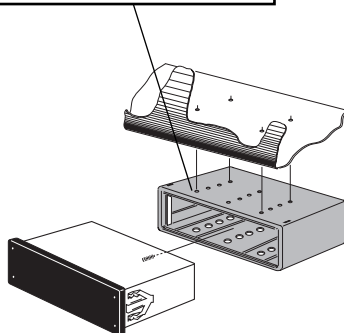
From -10° to 105°

Recommended accessories

Extension cable (4-feet 4-inches)
7 607 621 154

Extension cable (19-feet 6-inches)
7 607 621 155

Universal mounting frame
7 608 002 377



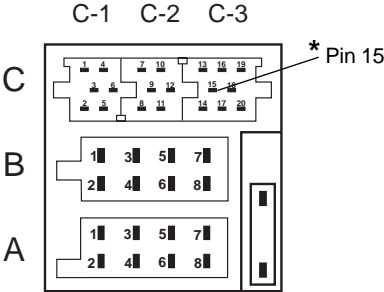
Spacer installation frame 6 mm
7 608 002 076

Spacer installation frame 10 mm
7 608 002 176

Connection to radios without +12V in compartment C3/*Pin 15

(see installation instructions for the car radio)

In this installation situation, the accompanying connection cable must be installed (see Fig. 1).



C3	
13	CDC Data-IN
14	CDC Data-OUT
15	+12V Permanent
16	+12V switch voltage (max. 300mA)
17	CDC Data-GND
18	CDC AF/AUX-GND
19	CDC AF/AUX-L
20	CDC AF/AUX-R

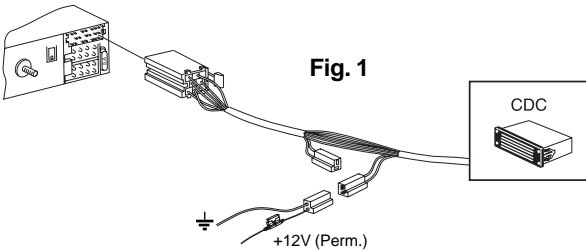


Fig. 1

Theft protection

The IDC A09 is equipped with a theft protection system that is supported by several car radios.

Radios supporting this system show "CDC CODE" in their displays when the CD changer is selected.

The methods for activating and deactivating the theft protection system when the changer is installed or uninstalled are described on pages 16 - 18.

Inserting a CD

Insert one CD with the printed side up into each of the compartments ①-⑤.

Ejecting a CD

Press the eject button ⑥-⑩ that corresponds with the CD you want to remove from compartments ①-⑤.

If a CD is being played, e.g. CD 5, you can insert or eject any of the remaining CDs in compartments ①-④.

For further operating details, please refer to your car radio's operating instructions.

Activating the code for car radios with a key card

The master code is printed on your IDC A09 pass card.

1. Switch on the radio.
2. Press the **CDC** button.
The following appears briefly in the display:
"CDC CODE"
The display then changes to:
"0000"
3. You can set digits 0-9 using the \wedge / \vee buttons.
You can move from one digit to the next by pressing the \ll / \gg buttons.

Example 1234:

- a) Press the \wedge button once.
 - b) Press the \gg button once.
 - c) Press the \wedge button twice.
 - d) Press the \gg button once.
 - e) Press the \wedge button three times.
 - f) Press the \gg button once.
 - g) Press the \wedge button four times.
4. Once you have correctly entered the entire code, confirm your entry by pressing the **ENT** button.

Activating the code for car radios that have a fixed code

The master code is printed on your IDC A09 pass card.

1. Switch on the radio.
2. Press the **CDC** button.
The following appears briefly in the display:
"CDC CODE "
The display then changes to:
"0000 "
3. You can enter the master code by pressing the station buttons 1-4.

Example 4321:

- a) Press station button 1 four times.
 - b) Press station button 2 three times.
 - c) Press station button 3 twice.
 - d) Press station button 4 once.
4. Once you have correctly entered the complete numerical code, there are two possible ways of confirming your entry:
- a) on car radios that have an "OK button", confirm your entry by pressing this button,
 - b) on car radios that do not have an "OK button", confirm your entry by pressing the search button "Λ".

Before uninstalling the IDC A09 and using it with a different car radio, you must first of all decode the IDC A09.

Decoding using a car radio that has a key card

The master code is printed on your IDC A09 pass card.

1. Switch on the radio.
2. Press the **CDC** button.
3. Press the IDC A09's eject buttons 2+5 simultaneously, keep them pressed for at least 1 second and then release them.

The IDC A09 stops playing.
The red LEDs for all the eject buttons begin to light up.

4. Switch off the radio.
5. Switch on the radio again.
The following appears briefly in the display:
"CDC CODE "
The display then changes to:
"0000 "
6. You can set digits 0-9 using the **Λ/V** buttons.
You can move from one digit to the next by pressing the **<< / >>** buttons.

Example 1234:

- a) Press the **Λ** button once.
 - b) Press the **>>** button once.
 - c) Press the **Λ** button twice.
 - d) Press the **>>** button once.
 - e) Press the **Λ** button three times.
 - f) Press the **>>** button once.
 - g) Press the **Λ** button four times.
7. Once you have correctly entered the entire code, confirm your entry by pressing the **ENT** button.

The red LEDs for all the eject buttons begin to light up.

Switch off the radio (**do not switch it on again**).

The IDC A09's code is now deactivated.

You may now remove the IDC A09.

Decoding using a car radio that has a fixed code

The master code is printed on your IDC A09 pass card.

1. Switch on the radio.
2. Press the **CDC** button.
3. Press the IDC A09's eject buttons 2+5 simultaneously, keep them pressed for at least 1 second and then release them.

The IDC A09 stops playing.
The red LEDs for all the eject buttons begin to light up.

4. Switch off the radio.
5. Switch on the radio again.
The following appears briefly in the display:
"CDC CODE"
The display then changes to:
"0000"
6. You can enter the master code by pressing the station buttons 1-4.

Example 4321:

- a) Press station button 1 four times.
 - b) Press station button 2 three times.
 - c) Press station button 3 twice.
 - d) Press station button 4 once.
7. Once you have correctly entered the complete numerical code, there are two possible ways of confirming your entry:
- a) on car radios that have an "OK button", confirm your entry by pressing this button,
 - b) on car radios that do not have an "OK button", confirm your entry by pressing the search button "**Λ**".

The red LEDs for all the eject buttons begin to light up.

Switch off the radio (**do not switch it on again**).

The IDC A09's code is now deactivated.

You may now remove the IDC A09.

Service-Nummern / Service numbers / Numéros du service après-vente / Numeri del servizio di assistenza / Servicenummers / Telefonnummer för service / Números de servicio / Número de serviço

	Tel.:	Fax:
Deutschland	018 050 002 25	051 214 940 02
Belgique	025 255 444	025 255 448
France	014 010 70 07	014 010 73 20
Nederland	023 565 63 48	023 565 63 31
Great Britain	018 958 383 66	018 958 383 94
Danmark	44 89 83 60	44 89 86 44
Sverige	08 750 15 00	08 750 18 10
Norway	66 81 70 00	66 81 71 57
Suomi	094 359 91	094 359 92 36
Österreich	045 989 90 28	016 103 93 91
Greece	015 762 241	015 769 473
Česká republika	026 130 04 41	026 130 05 14
USA	800-266 25 28	708-681 71 88
Singapore	006 535 054 47	006 535 053 12
Slovensko	042 175 873 212	042 175 873 229

Blaupunkt-Werke GmbH
Bosch Gruppe

